
LN28 CEILING LIGHT

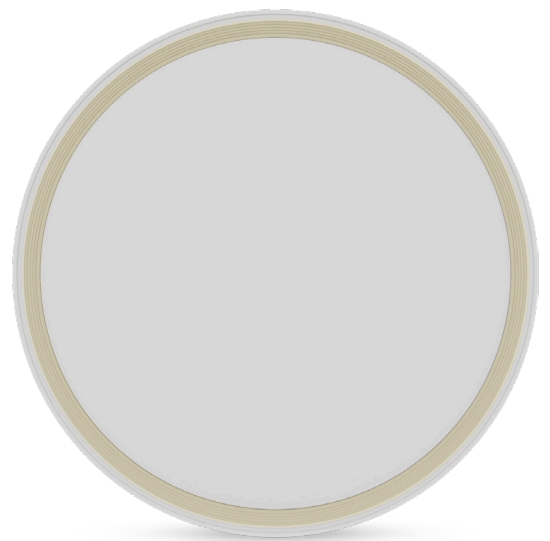


*** Product features:**

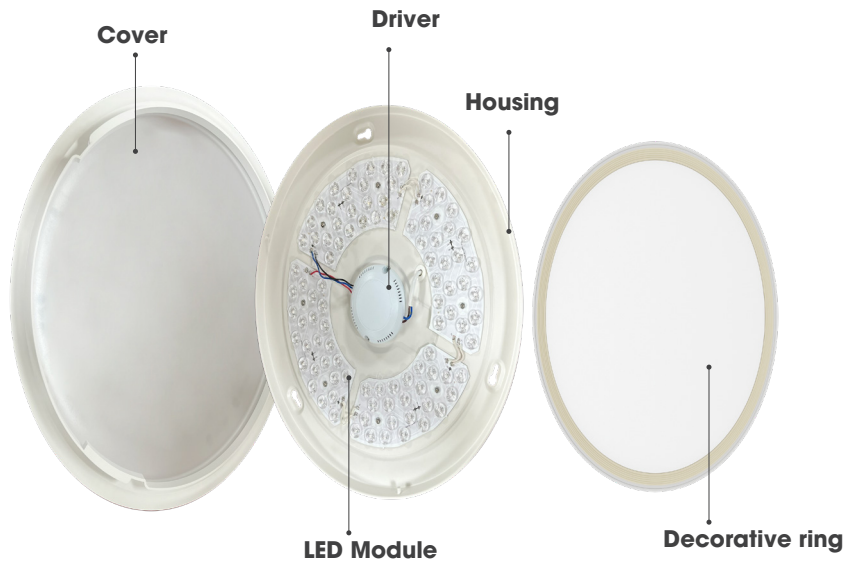
- High-quality LEDs provided by Samsung/ Seoul Semiconductor/ Nichia/ Lumiled with excellent performance
- LEDs with optical lens to ensure an evenly distributed beam of light
- Metal housing with perfect heat dissipation
- PS cover with high lighting transmittance and desired lighting distribution
- Flicker-free
- CE, KC certified
- Long lifespan: Long lifespan: 30,000 hours, saving the maintenance cost

*** Applications:**

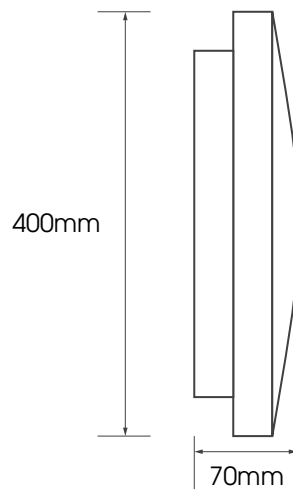
- Home, office, corridor, aisle, supermarket, shopping mall, exhibition hall, etc.



PRODUCT DETAILS



PRODUCT SPECIFICATIONS

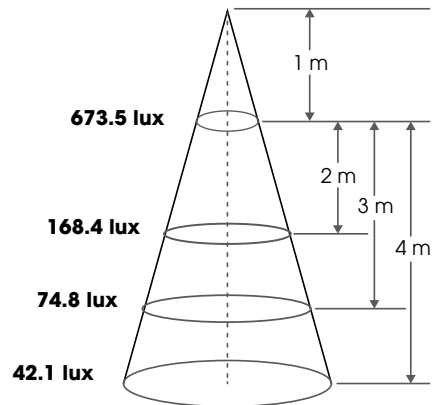
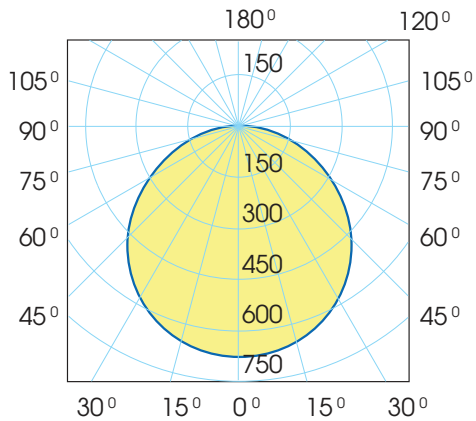


Model	Dimension ΦxH (mm)	Power (W)	Voltage (V)	Power factor	Luminous flux (lm)	Luminous Efficacy (lm/W)	CCT (K)	CRI (Ra)	Life span (hrs)
LN28 DM 400/40W	400x70	40	120/220÷240/100÷277	0.5/0.9	2800	70	3000-4000-6500	80	30,000

Capacity: 3.2 million pieces per year

Customizable: Power, Voltage (120/220÷240/100÷277), PF (05/09), lm/W, CCT (3000/4000/5000/5700/6500K), CRI, lifespan, etc.

LUMINOUS INTENSITY DISTRIBUTION



PACKING AND TRANSPORTATION



Type of lamps	Quantity in master box (pcs)	Estimated quantity / 20'DC	Estimated quantity / 40'HC
LN28 DM 400/40W	4	2,144	4,924

Customizable according to customer's request



Exported markets: EU, South Korea, etc.



RANG DONG LIGHT SOURCE AND VACUUM FLASK JOINT STOCK COMPANY

Add: 87- 89 Ha Dinh Street, Thanh Xuan, Hanoi, Vietnam

Tel: (84-24) 3 858 4310 / 3 858 4165

Fax: (84-24) 3 858 5038

Email: export@rangdong.com.vn



Specifications are subject to change without prior notice